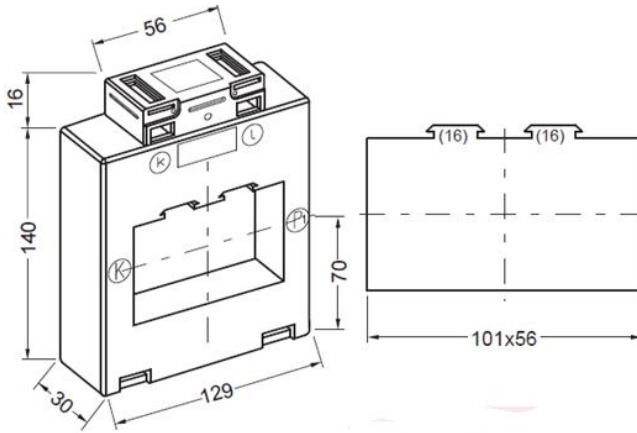


BUSBAR TYPE CURRENT TRANSFORMER

13A1056.3 [ffp5 / ffp10]



Primary busbar
Weight

3 x 100 x 10 mm
470 – 700 g

I _{cao}	Cl.	RATED PRIMARY CURRENT I _{pr}												A	
		400	500	600	750	800	1000	1250	1500	1600	2000	2500	3000 *		4000 *
5A	1	2,5	2,5	5	5	5	5	5	5	5	5	5	5	5	VA
		5	5	10	10	10	10	10	10	10	10	10	10	10	
							15	15	15	15	15	15	15	15	
										20	25	30	25	30	
	0,5	2,5	2,5	2,5	2,5	2,5	2,5	2,5	2,5	2,5	2,5	2,5	5	5	
		5	5	5	5	5	5	5	5	5	5	5	10	10	
				10	10	10	10	10	10	10	10	10	15	15	
						15	15	15	15	15	15	15	25	25	
	0,5S	2,5			2,5	2,5	2,5	2,5	2,5	2,5	2,5	2,5	5	5	
							5	5	5	5	5	5	10	10	
							10	10	10	10	10	10	15	15	
										15	15	15	20	20	
0,2	2,5					2,5	2,5	2,5	2,5	2,5	2,5	5	5		
						5	5	5	5	5	5	10	10		
							10	10	10	10	10	15	15		
											15	15	20	20	
0,2S	2,5									2,5	2,5	5	5		
										5	5	10	10		
											10	15	15		
1 A	1	2,5	2,5	5	5	5	5	5	5	5	5	5	10	VA	
		5	5	10	10	10	10	10	10	10	10	10	15		
							15	15	15	15	15	15	20		
										20	25	30	25		
	0,5	2,5	2,5	2,5	2,5	2,5	2,5	2,5	2,5	2,5	2,5	2,5	5		
		5	5	5	5	5	5	5	5	5	5	5	10		
				10	10	10	10	10	10	10	10	10	15		
						15	15	15	15	15	15	15	25		
	0,5S	2,5			2,5	2,5	2,5	2,5	2,5	2,5	2,5	2,5	5		
							5	5	5	5	5	5	10		
							10	10	10	10	10	10	15		
										15	15	15	20		
0,2	2,5					2,5	2,5	2,5	2,5	2,5	2,5	5			
						5	5	5	5	5	5	10			
								10	10	10	10	15			
										15	15	20			
0,2S	2,5									2,5	2,5	5			
										5	5	10			
											10	15	15		

* I_{ch} = 1,0 x I_{pr}

ACCESSORIES (INCLUDED IN THE SCOPE OF SUPPLY):

- 2 pcs. primary busbar fixing clamps (type 16)
- 4 pcs. headless set screws M5x55
- 2 pcs. secondary terminal cover (yellow sliders)
- 4 pcs. pressure protective caps for primary busbar set screws

OPTIONAL ACCESSORIES:

- Primary busbar quick fixing set (type 16-65)
- Snap-on mounting brackets for rail TS35 (DIN EN 60715)
- Insulating protective caps for primary busbar set screws
- Mounting feet

GENERAL TECHNICAL DATA:

Highest voltage for equipment U_m	0,72 kV
Rated power frequency withstand voltage (r.m.s.)	3 kV / 1 min
Rated frequency	50 / 60 Hz
Rated continuous thermal current I_{cth}	1,0 / 1,2 x I_{pr}
Instrument security factor	FS5 or FS10
Rated short-time thermal current I_{th}	60 x I_{pr} for 1 sec; max 100 kA for 1 sec
Rated dynamic current I_{dyn}	2,5 x I_{th}
Environmental conditions	Indoor use
Ambient air temperature (operating)	-5°C ... +40°C (other temperatures on request)
Ambient air temperature (storage / transport)	-40°C ... +60°C
Short-term temperature of primary conductor	Max. 170°C for 1 sec
Insulating class	H
Standards	DIN EN 61869 /1 + 2; DIN VDE 0414
Enclosure	Break-proof polyamide, flame retardant
Secondary terminals	Nickel-plated crosshead screws (2 Nm), integrated secondary terminal cover

If the distance between the current transformer and close-by current-carrying conductors is short, the measurement accuracy can be influenced by external magnetic field effects. Please ensure sufficient phase-to-phase clearance (at least 0.2 m) when using current transformers, especially from 2000 A or use optional design with external field protection (ffp5 / ffp10).

SPECIAL DESIGNS (UPON REQUEST):

- [ffp5 / ffp10] external magnetic field protection, see data sheet 13A1056.3ffp5 / ffp10
- Other ratios, burdens or accuracy classes
- Secondary reconnection
- Cast resin encapsulation
- Highest voltage for equipment 1,2 kV