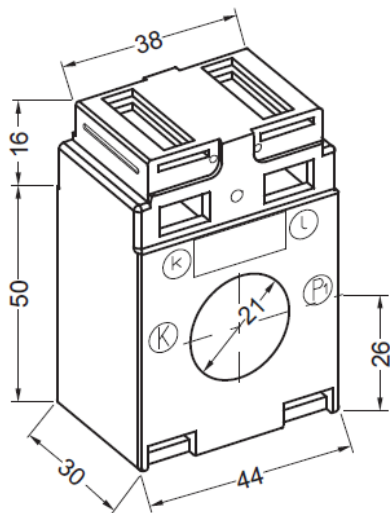


## ROUND CONDUCTOR CURRENT TRANSFORMER

**4R21.3**



Round conductor  
Weight

21 mm  
150 – 200 g

$I_{sec}$	Cl.	RATED PRIMARY CURRENT $I_{pr}$												A				
		40	50	60	75	80	100	125	150	200	250	300	400		500			
5 A	3	1	1,25															VA
	1		1	1,25	1,25	2,5	2,5	2,5	2,5	2,5	2,5	2,5	2,5	2,5	2,5	2,5	2,5	
					2,5			3,75	5	5	5	5	5	5	5	5	5	
	0,5							1	1	1	2,5	2,5	2,5	2,5	2,5	2,5	2,5	
								1,5	2,0	2,5	5	5	5	5	5	5	5	
	0,5S										1	1	2,5	2,5	2,5	2,5	2,5	
											2,5	2,5	5	5	5	5	5	
0,2													2,5	2,5	2,5	2,5		
0,2S														2,5	2,5	2,5		
1 A	3	1	1,25														VA	
	1		1	1,25	2,5	2,5	2,5	2,5	2,5	2,5	2,5	2,5	2,5	2,5	2,5	2,5		
	0,5							1	1	1	2,5	2,5	2,5	2,5	2,5	2,5		
											2,5	2,5	5	5	5	5		
	0,5S												2,5	2,5	2,5	2,5		
													5	5	5	5		
0,2													2,5	2,5	2,5			
0,2S														2,5	2,5			

## ACCESSORIES (INCLUDED IN THE SCOPE OF SUPPLY):

- 2 pcs. secondary terminal cover (yellow sliders)
- 2 pcs. mounting feet

## OPTIONAL ACCESSORIES:

- Snap-on mounting brackets for rail TS35 (DIN EN 60715)
- Copper sleeve bush  $d_a = 21$  mm,  $d_i = 8,5$  mm or 12,5 mm,  $L = 32$  mm (other lengths on request)
- Protective cover to increase the clearance and creepage distance

## GENERAL TECHNICAL DATA:

Highest voltage for equipment $U_m$	0,72 kV
Rated power frequency withstand voltage (r.m.s.)	3 kV / 1 min
Rated frequency	50 / 60 Hz
Rated continuous thermal current $I_{cth}$	$1,2 \times I_{pr}$
Instrument security factor	FS5 or FS10
Rated short-time thermal current $I_{th}$	$60 \times I_{pr}$ for 1 sec
Rated dynamic current $I_{dyn}$	$2,5 \times I_{th}$
Environmental conditions	Indoor use
Ambient air temperature (operating)	-5°C ... +40°C (other temperatures on request)
Ambient air temperature (storage / transport)	-40°C ... +60°C
Short-term temperature of primary conductor	Max. 170°C for 1 sec
Insulating class	H
Standards	DIN EN 61869 /1 + 2; DIN VDE 0414
Enclosure	Break-proof polyamide, flame retardant
Secondary terminals	Nickel-plated crosshead screws (2 Nm), integrated secondary terminal cover

## SPECIAL DESIGNS (UPON REQUEST):

- Other ratios, burdens or accuracy classes
- Cast resin encapsulation
- Highest voltage for equipment 1,2 kV