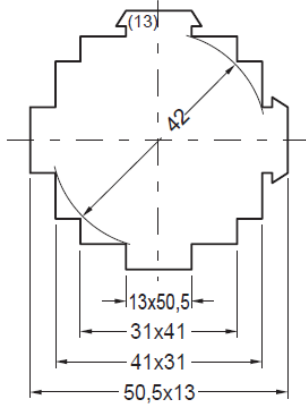
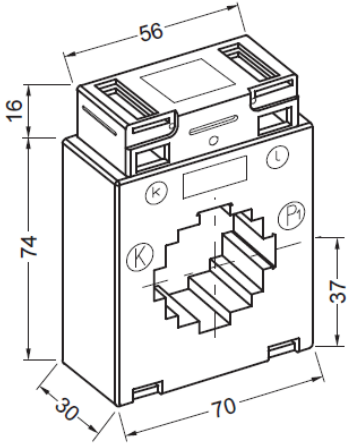


## BUSBAR TYPE CURRENT TRANSFORMER

**7A512.3**



Round conductor  
Primary busbar

42 mm  
50 x 10 mm  
2 x 30 x 10 mm  
2 x 40 x 10 mm

Weight

180 – 250 g

I <sub>sec</sub>	Cl.	RATED PRIMARY CURRENT I <sub>pr</sub>										A
		150	200	250	300	400	500	600	750	800	1000	
5 A	1	1,25	1,25	2,5	2,5	1,25	2,5	2,5	2,5	2,5	2,5	VA
									3,75	3,75	5	
	0,5			1,25	1,25	1,25	1,25	2,5	2,5	2,5	2,5	
					2,5		2,5		3,75	3,75	5	
1 A	1	1,25	1,25	2,5	2,5	1,25	2,5	2,5	2,5	2,5	2,5	VA
									3,75	3,75	5	
	0,5		1,25	1,25	2,5	1,25	2,5	2,5	2,5	2,5	2,5	
									3,75	3,75	5	

## ACCESSORIES (INCLUDED IN THE SCOPE OF SUPPLY):

- 1 pc. primary busbar fixing clamps (type 13)
- 2 pcs. headless set screws M5x35
- 2 pcs. secondary terminal cover (yellow sliders)
- 2 pcs. pressure protective caps for primary busbar set screws

## OPTIONAL ACCESSORIES:

- Primary busbar quick fixing set (type 13-40 or 13-65)
- Snap-on mounting brackets for rail TS35 (DIN EN 60715)
- Copper busbars in different sizes
- Insulating protective caps for primary busbar set screws
- Copper sleeve bush  $d_a = 42$  mm,  $d_i = 14,2$  mm,  $L = 32$  mm (other lengths on request),
- Protective cover to increase the clearance and creepage distance
- Mounting feet

## GENERAL TECHNICAL DATA:

Highest voltage for equipment $U_m$	0,72 kV
Rated power frequency withstand voltage (r.m.s.)	3 kV / 1 min
Rated frequency	50 / 60 Hz
Rated continuous thermal current $I_{cth}$	$1,2 \times I_{pr}$
Instrument security factor	FS5 or FS10
Rated short-time thermal current $I_{th}$	$60 \times I_{pr}$ for 1 sec
Rated dynamic current $I_{dyn}$	$2,5 \times I_{th}$
Environmental conditions	Indoor use
Ambient air temperature (operating)	-5°C ... +40°C (other temperatures on request)
Ambient air temperature (storage / transport)	-40°C ... +60°C
Short-term temperature of primary conductor	Max. 170°C for 1 sec
Insulating class	H
Standards	DIN EN 61869 /1 + 2; DIN VDE 0414 DIN EN 42600 /1 + 2
Enclosure	Break-proof polyamide, flame retardant
Secondary terminals	Nickel-plated crosshead screws (2 Nm), integrated secondary terminal cover

## SPECIAL DESIGNS (UPON REQUEST):

- Other ratios, burdens or accuracy classes
- Secondary reconnection
- Cast resin encapsulation
- Highest voltage for equipment 1,2 kV