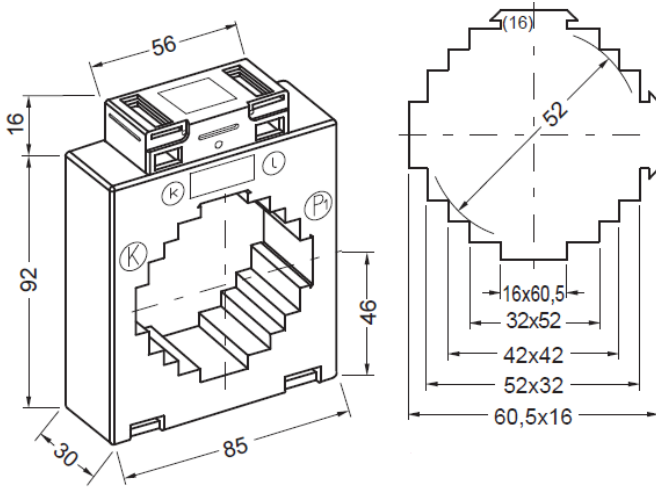


## BUSBAR TYPE CURRENT TRANSFORMER

**8A615.3**



Round conductor  
Primary busbar

Weight

52 mm  
60 x 10 mm  
2 x 50 x 10 mm  
2 x 40 x 10 mm  
3 x 30 x 10 mm  
300 – 400 g

$I_{L50}$	Cl.	RATED PRIMARY CURRENT $I_{pr}$												A	
		200	250	300	400	500	600	750	800	1000	1250	1500	1600		
5A	1	2,5	2,5	2,5	2,5	2,5	2,5	2,5	2,5	2,5	5	5	5	5	VA
			3,75	3,75	3,75	5	5	5	5	5	10	10	10	10	
				5	5	7,5	10	10	10	10	15	15	15	15	
										15		20	20	20	
	0,5		1	1	2,5	2,5	2,5	2,5	2,5	2,5	5	5	5	5	
				2,5	5	5	5	5	5	5	10	10	10	10	
						7,5	10	10	10	10	15	15	15	15	
										15	15	20	20	20	
	0,5S				1	2,5	2,5	2,5	2,5	5	5	5	5	5	
					2,5	5	5	5	5	10	10	10	10	10	
									10	10	15	15	15	15	
												20	20	20	
0,2						2,5	2,5	2,5	2,5	5	5	5	5		
									5	10	10	10	10		
									10	15	15	15	15		
												20	20		
0,2S									2,5	2,5	5	5	5		
									5	5	10	10	10		
													15		
1 A	1	2,5	2,5	2,5	2,5	2,5	2,5	2,5	2,5	2,5	2,5			VA	
				3,75	3,75	5	5	5	5	5	5	5			
										7,5		7,5			
	0,5		1	1	1	2,5	2,5	2,5	2,5	2,5	2,5	2,5			
				2,5	2,5	3,75	5	5	5	5	5	5			
									7,5			7,5			
	0,5S				1,25	2,5	2,5	2,5	2,5	2,5	2,5	2,5			
							5	5	5	5	5	5			
												7,5			
0,2							2,5	2,5	2,5	2,5	2,5				
									5	5					
0,2S										2,5					

## ACCESSORIES (INCLUDED IN THE SCOPE OF SUPPLY):

- 1 pc. primary busbar fixing clamps (type 16)
- 2 pcs. headless set screws M5x35
- 2 pcs. secondary terminal cover (yellow sliders)
- 2 pcs. pressure protective caps for primary busbar set screws

## OPTIONAL ACCESSORIES:

- Primary busbar quick fixing set (type 16-40)
- Snap-on mounting brackets for rail TS35 (DIN EN 60715)
- Insulating protective caps for primary busbar set screws
- Mounting feet

## GENERAL TECHNICAL DATA:

Highest voltage for equipment $U_m$	0,72 kV
Rated power frequency withstand voltage (r.m.s.)	3 kV / 1 min
Rated frequency	50 / 60 Hz
Rated continuous thermal current $I_{cth}$	1,2 x $I_{pr}$
Instrument security factor	FS5 or FS10
Rated short-time thermal current $I_{th}$	60 x $I_{pr}$ for 1 sec
Rated dynamic current $I_{dyn}$	2,5 x $I_{th}$
Environmental conditions	Indoor use
Ambient air temperature (operating)	-5°C ... +40°C (other temperatures on request)
Ambient air temperature (storage / transport)	-40°C ... +60°C
Short-term temperature of primary conductor	Max. 170°C for 1 sec
Insulating class	H
Standards	DIN EN 61869 /1 + 2; DIN VDE 0414
Enclosure	Break-proof polyamide, flame retardant
Secondary terminals	Nickel-plated crosshead screws (2 Nm), integrated secondary terminal cover

## SPECIAL DESIGNS (UPON REQUEST):

- Other ratios, burdens or accuracy classes
- Secondary reconnection
- Cast resin encapsulation
- Highest voltage for equipment 1,2 kV