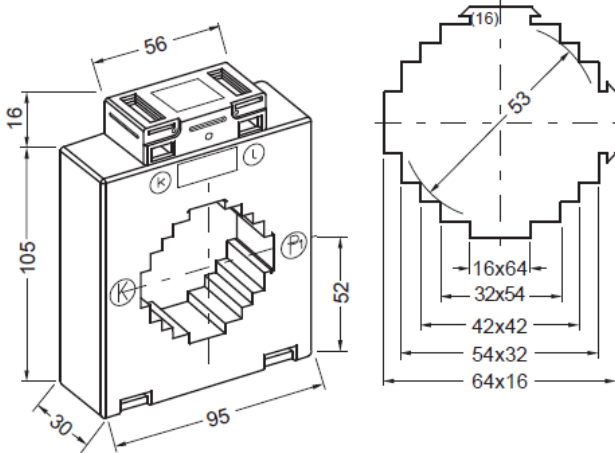


BUSBAR TYPE CURRENT TRANSFORMER

9A615.3 [ffp5 / ffp10]



Round conductor
Primary busbar

Weight

53 mm
60 x 10 mm
2 x 50 x 10 mm
2 x 40 x 10 mm
3 x 30 x 10 mm
400 – 550 g

I _{sec}	Cl.	RATED PRIMARY CURRENT I _{pr}														A		
		200	250	300	400	500	600	750	800	1000	1250	1500	1600	2000	2500			
5A	1	2,5	2,5	2,5	2,5	5	5	5	5	5	5	5	5	5	5	5	VA	
		3,75	5	5	5	10	10	10	10	10	10	10	10	10	10	10		
			7,5	10	10	15	15	15	15	15	15	15	15	15	15	15		
						15	20	20	20	20	20	20	30	30	20	20		
	0,5	2,5	2,5	2,5	2,5	2,5	2,5	5	5	5	5	5	5	5	5	5		
			5	5	5	5	5	10	10	10	10	10	10	10	10	10		
						10	10	10	15	15	15	15	15	15	15	15		
									15	15	20	20	20	30	30	20		20
	0,5S			2,5	2,5	2,5	2,5	5	5	5	5	5	5	5	5	5		
					5	5	5	10	10	10	10	10	10	10	10	10		
						10	10	15	15	15	15	15	15	15	15	15		
											20	20	30	30	20	20		
	0,2				2,5	2,5	2,5	2,5	2,5	5	5	5	5	5	5	5		
						5	5	5	5	10	10	10	10	10	10	10		
										10	10	10	15	15	15	15		
													20	20	30	30		20
	0,2S											2,5	5	5	5	5		5
												5	10	10	10	10		10
													15	15	15	15		15
														20	20	20		20
	1A	1	2,5	2,5	2,5	2,5	2,5	2,5	5	5	5	5	5	5	5	5		VA
			3,75	5	5	5	5	5	10	10	10	10	10	10	10	10		
				7,5	10	10	10	10	15	15	15	15	15	15	15	15		
							15		20	20	20	20				20		
0,5		2,5	2,5	2,5	2,5	2,5	2,5	5	5	5	5	5	5	5	5			
				5	5	5	5	10	10	10	10	10	10	10	10			
					7,5	10	10	15	15	15	15	15	15	15	15			
												20	20		20			
0,5S				2,5	2,5	2,5	2,5	5	5	5	5	5	5	5	5			
					5	5	5	10	10	10	10	10	10	10	10			
								15	15	15	15	15	15	15	15			
											20	20			20			
0,2					2,5	2,5	2,5	2,5	2,5	5	5	5	5	5	5			
						5	5	5	5	10	10	10	10	10	10			
										10	10	15	15	15	15			
												20	20					
0,2S												2,5	5	5	5	5		
												5	10	10	10	10		
													15	15	15	15		
														20	20	20	20	

ACCESSORIES (INCLUDED IN THE SCOPE OF SUPPLY):

- 1 pc. primary busbar fixing clamps (type 16)
- 2 pcs. headless set screws M5x35
- 2 pcs. secondary terminal cover (yellow sliders)
- 2 pcs. pressure protective caps for primary busbar set screws

OPTIONAL ACCESSORIES:

- Primary busbar quick fixing set (type 16-40)
- Snap-on mounting brackets for rail TS35 (DIN EN 60715)
- Insulating protective caps for primary busbar set screws
- Mounting feet

GENERAL TECHNICAL DATA:

Highest voltage for equipment U_m	0,72 kV
Rated power frequency withstand voltage $(r.m.s.)$	3 kV / 1 min
Rated frequency	50 / 60 Hz
Rated continuous thermal current I_{cth}	1,2 x I_{pr}
Instrument security factor	FS5 or FS10
Rated short-time thermal current I_{th}	60 x I_{pr} for 1 sec; max 100 kA for 1 sec
Rated dynamic current I_{dyn}	2,5 x I_{th}
Environmental conditions	Indoor use
Ambient air temperature (operating)	-5°C ... +40°C (other temperatures on request)
Ambient air temperature (storage / transport)	-40°C ... +60°C
Short-term temperature of primary conductor	Max. 170°C for 1 sec
Insulating class	H
Standards	DIN EN 61869 /1 + 2; DIN VDE 0414
Enclosure	Break-proof polyamide, flame retardant
Secondary terminals	Nickel-plated crosshead screws (2 Nm), integrated secondary terminal cover

If the distance between the current transformer and close-by current-carrying conductors is short, the measurement accuracy can be influenced by external magnetic field effects. Please ensure sufficient phase-to-phase clearance (at least 0.2 m) when using current transformers, especially from 2000 A or use optional design with external field protection (ffp5 / ffp10).

SPECIAL DESIGNS (UPON REQUEST):

- [ffp5 / ffp10] external magnetic field protection, see data sheet 9A615.3ffp5 / ffp10
- Other ratios, burdens or accuracy classes
- Secondary reconnection
- Cast resin encapsulation
- Highest voltage for equipment 1,2 kV