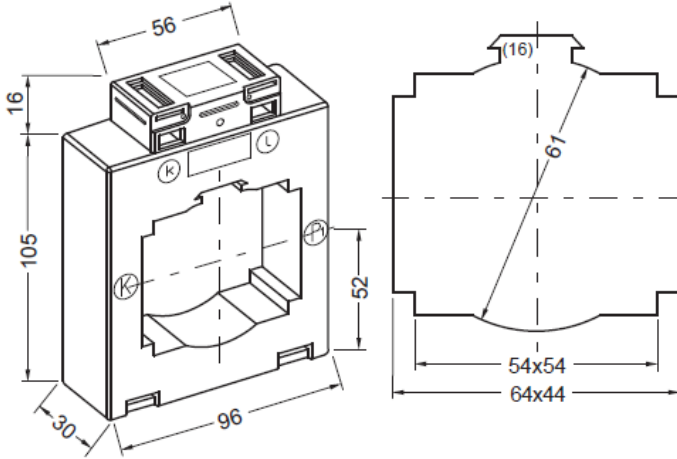


## BUSBAR TYPE CURRENT TRANSFORMER

**9A640.3 [ffp5 / ffp10]**



Round conductor  
Primary busbar

Weight

61 mm  
2 x 60 x 10 mm  
3 x 50 x 10 mm  
340 – 420 g

I <sub>sec</sub>	Cl.	RATED PRIMARY CURRENT I <sub>pr</sub>												A		
		200	250	300	400	500	600	750	800	1000	1250	1500	1600		2000*	
5A	1	2,5	2,5	2,5	2,5	2,5	2,5	2,5	2,5	2,5	2,5	5	5	5	VA	
			3,75	5	5	5	5	5	5	5	5	5	10	10		10
						7,5	10	10	10	10	10	10	15	15		15
	0,5			2,5	2,5	2,5	2,5	2,5	2,5	2,5	2,5	5	5	5		
					5	5	5	5	5	5	5	10	10	10		
						10	10	10	10	10	10	15	15	15		
	0,5S					2,5	2,5	2,5	2,5	2,5	2,5	5	5	5		
							5	5	5	5	5	10	10	10		
								7,5	10	10	10		15	15		
	0,2								2,5	2,5	2,5	2,5	5	5		5
											5	5	10	10		10
												10				
0,2S											2,5	2,5	2,5	2,5		
											5	5	5	5		
														10		
1 A	1	2,5	2,5	2,5	2,5	2,5	2,5	2,5	2,5	2,5	2,5	2,5			VA	
				3,75	5	5	5	5	5	5	5	5	5			
						7,5	7,5	10	10	10	10					
	0,5			2,5	2,5	2,5	2,5	2,5	2,5	2,5	2,5	2,5				
					3,75	5	5	5	5	5	5					
						7,5	7,5	10	10	10	10					
	0,5S					2,5	2,5	2,5	2,5	2,5	2,5					
							5	5	5	5	5					
								7,5	7,5	10	10					
	0,2								2,5	2,5	2,5	2,5				
											5	5				
0,2S																

\* I<sub>cth</sub> = 1,0 x I<sub>pr</sub>

## ACCESSORIES (INCLUDED IN THE SCOPE OF SUPPLY):

- 1 pc. primary busbar fixing clamps (type 16)
- 2 pcs. headless set screws M5x35
- 2 pcs. secondary terminal cover (yellow sliders)
- 2 pcs. pressure protective caps for primary busbar set screws

## OPTIONAL ACCESSORIES:

- Primary busbar quick fixing set (type 16-40)
- Snap-on mounting brackets for rail TS35 (DIN EN 60715)
- Insulating protective caps for primary busbar set screws
- Mounting feet

## GENERAL TECHNICAL DATA:

Highest voltage for equipment $U_m$	0,72 kV
Rated power frequency withstand voltage (r.m.s.)	3 kV / 1 min
Rated frequency	50 / 60 Hz
Rated continuous thermal current $I_{cth}$	1,0 / 1,2 x $I_{pr}$
Instrument security factor	FS5 or FS10
Rated short-time thermal current $I_{th}$	60 x $I_{pr}$ for 1 sec; max 100 kA for 1 sec
Rated dynamic current $I_{dyn}$	2,5 x $I_{th}$
Environmental conditions	Indoor use
Ambient air temperature (operating)	-5°C ... +40°C (other temperatures on request)
Ambient air temperature (storage / transport)	-40°C ... +60°C
Short-term temperature of primary conductor	Max. 170°C for 1 sec
Insulating class	H
Standards	DIN EN 61869 /1 + 2; DIN VDE 0414
Enclosure	Break-proof polyamide, flame retardant
Secondary terminals	Nickel-plated crosshead screws (2 Nm), integrated secondary terminal cover

If the distance between the current transformer and close-by current-carrying conductors is short, the measurement accuracy can be influenced by external magnetic field effects. Please ensure sufficient phase-to-phase clearance (at least 0.2 m) when using current transformers, especially from 2000 A or use optional design with external field protection (ffp5 / ffp10).

## SPECIAL DESIGNS (UPON REQUEST):

- [ffp5 / ffp10] external magnetic field protection, see data sheet 9A640.3ffp5 / ffp10
- Other ratios, burdens or accuracy classes
- Secondary reconnection
- Cast resin encapsulation
- Highest voltage for equipment 1,2 kV