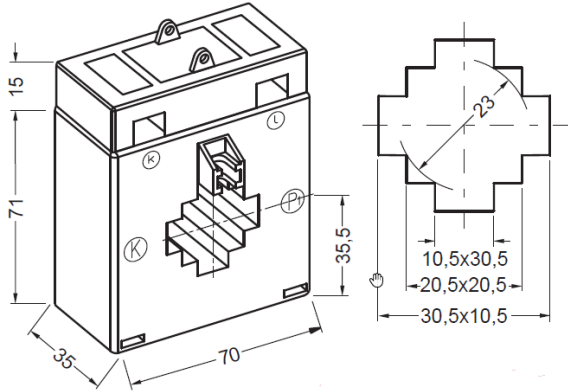


BUSBAR TYPE CURRENT TRANSFORMER

IPA30



Round conductor
Primary busbar

Weight

23 mm
30 x 10 mm
20 x 10 mm
250 – 500 g

I_{tso}	Cl.	RATED PRIMARY CURRENT I_{pr}												A
		60	75	80	100	125	150	200	250	300	400	500	600	
5 A	1	1,25	2,5	2,5	3,75	5	5	10	10	10	15	15	15	VA
							10	15	15	15		20	20	
													25	
	0,5	1,5	1,5	1	2,5	2,5	5	5	10	15	15	15		
				2,5		3,75	7,5	10	15		20	20		
												25		
	0,5S	1,5	1,5	1			2,5	2,5	5	10	15	15		
				2,5				3,75	7,5			20		
	0,2									5	10	10		
												15		
0,2S										2,5	10			
										5				
1 A	1	1,25	2,5	2,5	3,75	5	5	10	10	10	15	15	15	VA
							10	15	15	15		20	20	
													25	
	0,5	1,5	1,5	1	2,5	2,5	5	5	10	15	15	15		
				2,5		3,75	7,5	10	15		20	20		
												25		
	0,5S	1,5	1,5	1			2,5	2,5	5	10	15	15		
				2,5				3,75	7,5			20		
	0,2									5	10	10		
												15		
0,2S										2,5	10			
										5				

ACCESSORIES (INCLUDED IN THE SCOPE OF SUPPLY):

- 1 pc. primary busbar fixing clamps (type A30)
- 2 pcs. headless set screws M5x35
- 1 pc. secondary terminal cover (black)
- 2 pcs. mounting feet

OPTIONAL ACCESSORIES:

- Snap-on mounting brackets for rail TS35 (DIN EN 60715)
 - Rotatable metal plate
 - Rigid plastic clips
- Copper busbars in different sizes
- Insulating protective caps for primary busbar set screws

GENERAL TECHNICAL DATA:

Highest voltage for equipment U_m	0,72 kV
Rated power frequency withstand voltage (r.m.s.)	3 kV / 1 min
Rated frequency	50 / 60 Hz
Rated continuous thermal current I_{cth}	1,2 x I_{pr}
Instrument security factor	FS5 or FS10
Rated short-time thermal current I_{th}	60 x I_{pr} for 1 sec; max. 50 kA for 1 sec
Rated dynamic current I_{dyn}	2,5 x I_{th}
Environmental conditions	Indoor use
Ambient air temperature (operating)	-5°C ... +40°C (other temperatures on request)
Ambient air temperature (storage / transport)	-40°C ... +60°C
Short-term temperature of primary conductor	Max. 170°C for 1 sec
Insulating class	H
Standards	DIN EN 61869 Teil 1 + 2, DIN VDE 0414 DIN EN 42600 Teil 1 + 2
Enclosure	Break-proof polyamide, flame retardant
Secondary terminals	Nickel-plated crosshead screws (2 Nm), integrated secondary terminal cover

SPECIAL DESIGNS (UPON REQUEST):

- Other ratios, burdens or accuracy classes
- Cast resin encapsulation
- Highest voltage for equipment 1,2 kV