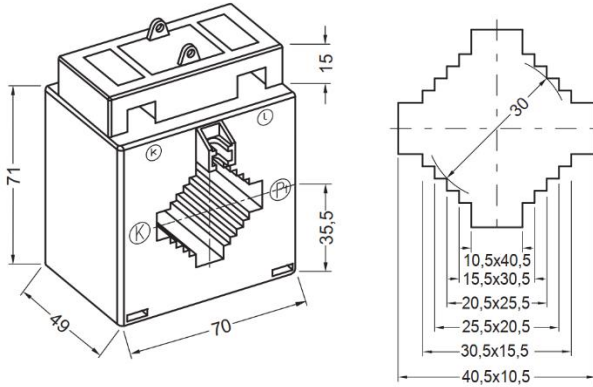


BUSBAR TYPE CURRENT TRANSFORMER

IPA40.5



Round conductor
Primary busbar

30 mm
40 x 10 mm
30 x 10 mm
20 x 10 mm
400 – 700 g

Weight

I_{nec}	Cl.	RATED PRIMARY CURRENT I_{pr}														A			
		60	75	80	100	125	150	200	250	300	400	500	600	750	800		1000		
5 A	1		1,25	1,25	2	2,5	2,5	2,5	5	5	5	5	5	5	5	5	5	5	VA
						3,75	5	5	10	10	10	10	10	10	10	10	10	10	
										15	15	15	15	15	15	15	15	15	
	0,5					1	2,5	2,5	5	5	5	5	5	5	5	5	5	5	
							3,75	7,5	10	10	10	10	10	10	10	10	10	10	
										15	15	15	15	15	15	15	15	15	
	0,5S						2,5	5	2,5	5	5	5	5	5	5	5	5	5	
								5	10	10	10	10	10	10	10	10	10	10	
										15	15	15	15	15	15	15	15	15	
	0,2										5	5	5	5	5	5	5	5	
											7,5	10	10	10	10	10	10	10	
														15	15	15	15	20	
0,2S												5	5	5	5	5	5		
												10	10	10	10	10	10		
																	15		
1 A	1		1,25	1,25	2	2,5	2,5	2,5	5	5	5	5	5	5	5	5	5	5	VA
						3,75	5	5	10	10	10	10	10	10	10	10	10	10	
										15	15	15	15	15	15	15	15	15	
	0,5					1	2,5	2,5	5	5	5	5	5	5	5	5	5	5	
							3,75	7,5	10	10	10	10	10	10	10	10	10	10	
										15	15	15	15	15	15	15	15	15	
	0,5S						2,5	5	2,5	5	5	5	5	5	5	5	5	5	
								5	10	10	10	10	10	10	10	10	10	10	
										15	15	15	15	15	15	15	15	15	
	0,2										5	5	5	5	5	5	5	5	
											7,5	10	10	10	10	10	10	10	
														15	15	15	15	20	
0,2S												5	5	5	5	5	5		
												10	10	10	10	10	10		
																	15		

ACCESSORIES (INCLUDED IN THE SCOPE OF SUPPLY):

- 1 pc. primary busbar fixing clamps (type A30)
- 2 pcs. headless set screws M5x35
- 1 pc. secondary terminal cover (black)
- 2 pcs. mounting feet

OPTIONAL ACCESSORIES:

- Snap-on mounting brackets for rail TS35 (DIN EN 60715)
 - Rotatable metal plate
 - Rigid plastic clips
- Copper busbars in different sizes
- Insulating protective caps for primary busbar set screws

GENERAL TECHNICAL DATA:

Highest voltage for equipment U_m	0,72 kV
Rated power frequency withstand voltage (r.m.s.)	3 kV / 1 min
Rated frequency	50 / 60 Hz
Rated continuous thermal current I_{cth}	1,2 x I_{pr}
Instrument security factor	FS5 or FS10
Rated short-time thermal current I_{th}	60 x I_{pr} for 1 sec; max. 60 kA for 1 sec
Rated dynamic current I_{dyn}	2,5 x I_{th}
Environmental conditions	Indoor use
Ambient air temperature (operating)	-5°C ... +40°C (other temperatures on request)
Ambient air temperature (storage / transport)	-40°C ... +60°C
Short-term temperature of primary conductor	Max. 170°C for 1 sec
Insulating class	H
Standards	DIN EN 61869 Teil 1 + 2, DIN VDE 0414
Enclosure	Break-proof polyamide, flame retardant
Secondary terminals	Nickel-plated crosshead screws (2 Nm), integrated secondary terminal cover

SPECIAL DESIGNS (UPON REQUEST):

- Other ratios, burdens or accuracy classes
- Cast resin encapsulation
- Highest voltage for equipment 1,2 kV