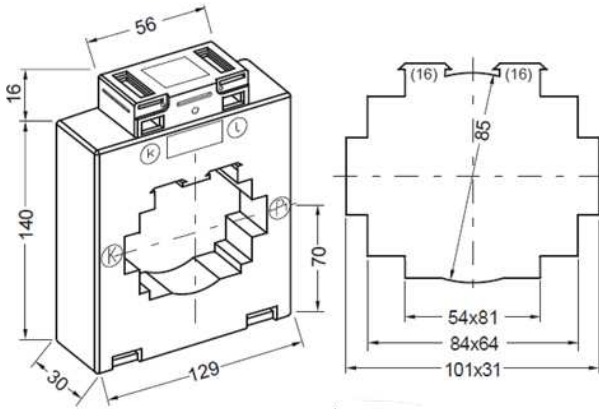


WINDOW TYPE CURRENT TRANSFORMER

13A1030.3



Round cable
Primary bus bar

Weight

85 mm
2 x 100 x 10 mm
80 x 60 mm
50 x 80 mm
440 - 680 g

I _{sr}	Cl.	PRIMARY RATED CURRENT I _{pr}														A		
		400	500	600	750	800	1000	1200	1250	1500	1600	2000	2500	3000	4000*			
5A	1	2,5	2,5	5	5	5	5	5	5	5	5	5	5	5	5	5	5	VA
		5	5	10	10	10	10	10	10	10	10	10	10	10	10	10	10	
								15	15	15	15	15	15	15	15	15	15	
												20	25	30	30	30	30	
	0,5	2,5	2,5	2,5	2,5	2,5	2,5	2,5	2,5	2,5	2,5	2,5	5	5	5	5	5	
			5	5	5	5	5	5	5	5	5	5	10	10	10	10	10	
					10	10	10	10	10	10	10	10	15	15	15	15	15	
							15	15	15	15	15	15	20	20	25	25	25	
	0,5S			2,5	2,5	2,5	2,5	2,5	2,5	2,5	2,5	2,5	2,5	2,5	5	5	5	
				5	5	5	5	5	5	5	5	5	5	5	10	10	10	
						10	10	10	10	10	10	10	10	10	15	15	15	
												15	15	15	15	20	20	
	0,2						2,5	2,5	2,5	2,5	2,5	2,5	2,5	2,5	5	5	5	
							5	5	5	5	5	5	5	5	10	10	10	
											10	10	10	10	15	15	15	
												15	15	15	20	20	20	
	0,2S										2,5	2,5	2,5	2,5	5	5	5	
											5	5	5	5	10	10	10	
													10	10	10	10		
1 A	1	2,5	2,5	5	5	5	5	5	5	5	5	5	15	10			VA	
		5	5	10	10	10	10	10	10	10	10	10	10	10	15			
								15	15	15	15	15	15	15	20			
												20	20	25	30			
	0,5	2,5	2,5	5	5	5	5	5	5	5	5	5	5	5	5	5		5
			5	10	10	10	10	10	10	10	10	10	10	10	10	10		10
																		20
	0,5S			5	5	5	5	5	5	5	5	5	5	5	5	5		5
												15	15	15	15	15		15
	0,2						2,5	2,5	2,5	2,5	2,5	2,5	2,5	5	5	5		5
							5	5	5	5	5	5	5	10	10	10		10
												10	10	10	15	15		15
	0,2S										2,5	2,5	2,5	2,5	2,5			
											5	5	5	5	5			
													10	10				

* I_{cth} : 1,0 I_{pr} / 1,2 I_{pr} upon request

ACCESSORIES (INCLUDED IN THE SCOPE OF SUPPLY):

2 pcs.	Primary bus bar fixing device (Type 16),
4 pcs.	Threaded pins M5 x 55
2 pcs.	Secondary terminal cover (yellow sliders)
2 pcs.	Mounting feet

OPTINONAL ACCESSORIES

- Snap-on mounting brackets for the installation on DIN rail EN 50022-35
- Primary bus bar quick fastening device (Type 16-65)
- Copper bus bars in different dimensions
- Insulating caps for the primary fixing threaded pins

GENERAL TECHNICAL DATA:

Highest voltage for equipment U_m	0,72 kV
Rated power frequency withstand voltage (r.m.s.)	3 kV / 1 min
Frequency	50 / 60 Hz
Rated continuous thermal current I_{cth}	$1,2 \times I_{pr}$
Instrument security factor	FS5 - FS15
Rated thermal current I_{th}	$60 \times I_{pr}$ for 1 s
Rated dynamic current I_{dyn}	$2,5 \times I_{th}$
Ambient temperature	-40 ... 40°C
Temperature rise limit class	H
Normative standards	IEC 61869 Part 1 + 2 DIN EN 42600
Enclosure	Break-proof polyamide Difficult to inflame
Secondary connection	Nickel plated cross-head screws (2 Nm) Integrated secondary terminal cover

SPECIAL DESIGNS (UPON REQUEST)

- Other ratings, burdens or accuracies
- Secondary reconnection
- Casted with resin
- Highest voltage for equipment 1,2 kV