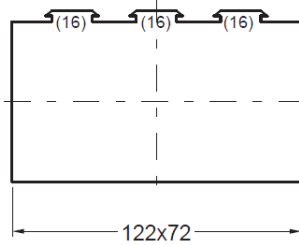
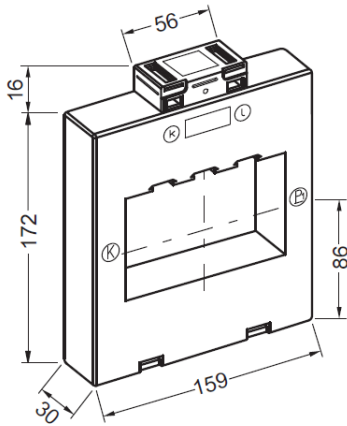


WINDOW TYPE CURRENT TRANSFORMER

16A1272.3



Primary bus bar
Weight

4 x 120 x 12 mm
920 - 960 g

I _{sr}	Cl.	PRIMARY RATED CURRENT I _{pr}														A
		400	500	600	750	800	1000	1250	1500	1600	2000	2500	3000	4000	5000 *	
5A	1	2,5	2,5	5	5	5	5	5	5	5	5	10	10	10	10	10
		5	5	10	10	10	10	10	10	10	10	15	15	15	20	20
							15	15	15	15	15	20	20	20	30	30
	0,5	2,5	2,5	2,5	5	5	5	5	5	5	5	5	5	5	10	10
		5	5	5	10	10	10	10	10	10	10	10	10	10	20	20
											15	15	15	15	30	30
	0,5S	5	5	5	10	10	10	10	10	10	10	10	10	10	15	15
									5	5	5	5	5	5	10	10
									10	10	10	10	10	10	15	15
	0,2	5	5	5	10	10	10	10	10	10	10	10	10	10	15	15
											5	5	5	5	10	10
											10	10	10	10	15	15
0,2S	5	5	5	10	10	10	10	10	10	10	10	10	10	15	15	
											5	5	5	10	10	
											10	10	10	15	15	
1 A	1	2,5	2,5	5	5	5	5	5	5	5	5	10	10	10		
		5	5	10	10	10	10	10	10	10	10	15	15	15		
							15	15	15	15	15	20	20	20		
	0,5	2,5	2,5	2,5	5	5	5	5	5	5	5	5	5	5		
		5	5	5	10	10	10	10	10	10	10	10	10	10		
											15	15	15	15		
	0,5S	5	5	5	10	10	10	10	10	10	10	10	10	10		
									5	5	5	5	5	5		
									10	10	10	10	10	10		
	0,2	5	5	5	10	10	10	10	10	10	10	10	10	10		
											5	5	5	5		
											10	10	10	10		
0,2S	5	5	5	10	10	10	10	10	10	10	10	10	10			
											5	5	5			
											10	10	10			

* I_{cth} : 1,0 I_{pr}

Due to the proximity effect sufficient phase-to-phase distance has to be considered for currents of 4000 A or higher



ACCESSORIES (INCLUDED IN THE SCOPE OF SUPPLY):

2 pcs.	Primary bus bar fixing device (Type 16),
4 pcs.	Threaded pins M5 x 75
2 pcs.	Secondary terminal cover (yellow sliders)
2 pcs.	Mounting feet

OPTIONAL ACCESSORIES

- Snap-on mounting brackets for the installation on DIN rail EN 50022-35
- Primary bus bar quick fastening device (Type 16-65)
- Copper bus bars in different dimensions
- Insulating caps for the primary fixing threaded pins

GENERAL TECHNICAL DATA:

Highest voltage for equipment U_m	0,72 kV
Rated power frequency withstand voltage (r.m.s.)	3 kV / 1 min
Frequency	50 / 60 Hz
Rated continuous thermal current I_{cth}	$1,2 \times I_{pr}$
Instrument security factor	FS5 - FS15
Rated thermal current I_{th}	$60 \times I_{pr}$ for 1 s
Rated dynamic current I_{dyn}	$2,5 \times I_{th}$
Ambient temperature	-40 ... 40°C
Temperature rise limit class	H
Normative standards	IEC 61869 Part 1 + 2 DIN EN 42600
Enclosure	Break-proof polyamide Difficult to inflame
Secondary connection	Nickel plated cross-head screws (2 Nm) Integrated secondary terminal cover

SPECIAL DESIGNS (UPON REQUEST)

- Other ratings, burdens or accuracies
- Secondary reconnection
- Casted with resin
- Highest voltage for equipment 1,2 kV