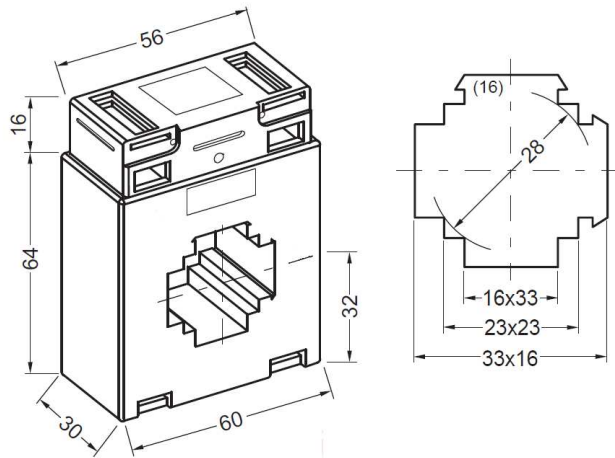


### WINDOW TYPE CURRENT TRANSFORMER

**6A315.3**



Round cable  
Primary bus bar

Weight

28 mm  
30 x 15 mm  
20 x 20 mm  
250 - 300 g

I <sub>SR</sub>	Cl.	PRIMARY RATED CURRENT I <sub>pr</sub>														A			
		50	60	75	80	100	125	150	200	250	300	400	500	600	750				
5 A	3	1	1	1,5															
	1			1	1,25	2,5	2,5	2,5	2,5	2,5	2,5	5	2,5	2,5	5				
								3,75	3,75	5	5	5	10	5	5	10			
									5	7,5	7,5	7,5	15	10	10	15			
	0,5								1,25	2,5	2,5	2,5	2,5	2,5	2,5	2,5			
										3,75	5	5	5	5	5	5			
											7,5	7,5	10	10	10	10			
	0,5S										2,5	2,5	2,5	2,5	2,5	2,5			
												5	5	5	5	5			
													10	10	10	10			
	0,2												2,5	2,5	2,5	2,5			
														5	5	5			
														2,5	2,5				
0,2S															2,5	2,5			
																5			
																	5		
1 A	3	1	1	1,5															
	1			1,25	1,5	2,5	2,5	2,5	2,5	2,5	2,5	2,5	2,5	2,5	2,5				
								3,75	3,75	5	5	5	5	5	5				
										7,5	7,5	10	10	10					
	0,5					1,25	1,25	2,5	2,5	2,5	2,5	2,5	2,5	2,5	2,5				
										3,75	5	5	5	5	5				
											7,5	10	10	10					
	0,5S										2,5	2,5	2,5	2,5	2,5	2,5			
												5	5	5	5				
													10	10	10				
	0,2												2,5	2,5	2,5				
														5	5	5			
														2,5	2,5				
0,2S															2,5				
																5			
																	5		

## ACCESSORIES (INCLUDED IN THE SCOPE OF SUPPLY):

1 pc.	Primary bus bar fixing device (Type 16)
2 pcs.	Threaded pins M5 x 35
2 pcs.	Secondary terminal cover (yellow sliders)
2 pcs.	Mounting feet

## OPTIONAL ACCESSORIES

- Primary bus bar quick fastening device (Type 16-40)
- Snap-on mounting brackets for the installation on DIN rail EN 50022-35
- Copper bus bars in different dimensions
- Insulating caps for the primary fixing threaded pins
- Copper tube  $d_a = 21$  mm,  $d_i = 8,5$  mm or  $12,5$  mm,  $L = 32$  mm (other lengths upon request) for the use as a tube type current transformer
- Protective cover to increase the flash-over and creepage distances if used as a tube type current transformer

## GENERAL TECHNICAL DATA:

Highest voltage for equipment $U_m$	0,72 kV
Rated power frequency withstand voltage (r.m.s.)	3 kV / 1 min
Frequency	50 / 60 Hz
Rated continuous thermal current $I_{cth}$	$1,2 \times I_{pr}$
Instrument security factor	FS5 - FS15
Rated thermal current $I_{th}$	$60 \times I_{pr}$ for 1 s
Rated dynamic current $I_{dyn}$	$2,5 \times I_{th}$
Ambient temperature	-40 ... 40°C
Temperature rise limit class	H
Normative standards	IEC 61869 Part 1 + 2 DIN EN 42600
Enclosure	Break-proof polyamide Difficult to inflame
Secondary connection	Nickel plated cross-head screws (2 Nm) Integrated secondary terminal cover

## SPECIAL DESIGNS (UPON REQUEST)

- Other ratings, burdens or accuracies
- Secondary reconnection
- Casted with resin
- Highest voltage for equipment 1,2 kV