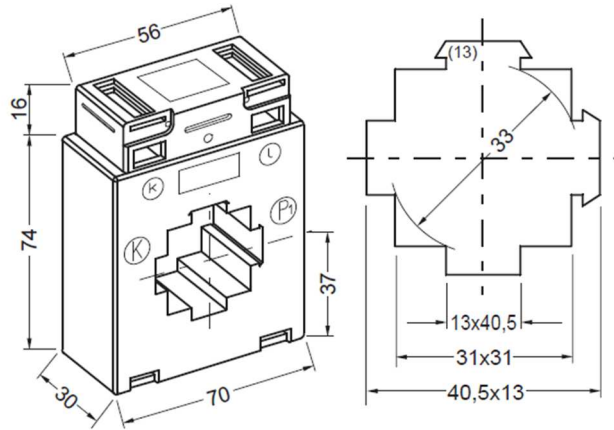


WINDOW TYPE CURRENT TRANSFORMER

7A412.3



Round cable
Primary bus bar

Weight

33 mm
40 x 12 mm
2x 30 x 10 mm
280 - 350 g

I_{sr}	Cl.	PRIMARY RATED CURRENT I_{pr}													A	
		80	100	125	150	200	250	300	400	500	600	750	800	1000		
5A	1	1,25	2,5	2,5	2,5	2,5	2,5	2,5	2,5	2,5	2,5	2,5	2,5	2,5	2,5	VA
				3,75	5	5	5	5	5	5	5	5	5	5	5	
								7,5	7,5	10	10	10	10	10	10	
													15	15	20	
	0,5			1,25	2,5	2,5	2,5	2,5	2,5	2,5	2,5	2,5	5	5		
							5	5	5	5	5	5	10	10		
									10	10	10	10	15	20		
	0,5S						2,5	2,5	2,5	2,5	2,5	2,5	2,5	5		
								5	5	5	5	5	5	10		
									10	10	10	10	10	20		
	0,2								2,5	2,5	2,5	2,5	2,5	5		
									5	5	5	5	5	10		
											10	10	10	15		
	0,2S										2,5	2,5	2,5			
											5	5	5	5		
											10	10	10			
1A	1	1,25	2,5	2,5	2,5	2,5	2,5	2,5	2,5	2,5	2,5	2,5	2,5	2,5	VA	
				3,75	5	5	5	5	5	5	5	5	5	5		
								7,5	7,5	7,5	10	10	10	10		10
													15	15		15
	0,5			1,25	1,25	2,5	2,5	2,5	2,5	2,5	2,5	2,5	5	5		
					2,5	3,75	5	5	5	5	5	5	10	10		
								7,5	7,5	10	10	10	15	15		
	0,5S					1,25	2,5	2,5	2,5	2,5	2,5	2,5	2,5	5		
								5	5	5	5	5	5	10		
									7,5	7,5	10	10	10	15		
	0,2								2,5	2,5	2,5	2,5	2,5	2,5		
									5	5	5	5	5	5		
	0,2S											2,5	2,5	2,5		
														5		

ACCESSORIES (INCLUDED IN THE SCOPE OF SUPPLY):

1 pc.	Primary bus bar fixing device (Type 13),
2 pcs.	Threaded pins M5 x 35
2 pcs.	Secondary terminal cover (yellow sliders)
2 pcs.	Mounting feet

OPTIONAL ACCESSORIES

- Snap-on mounting brackets for the installation on DIN rail EN 50022-3
- Primary bus bar quick fastening device (Type 13-40)
- Copper bus bars in different dimensions
- Insulating caps for the primary fixing threaded pins

GENERAL TECHNICAL DATA:

Highest voltage for equipment U_m	0,72 kV
Rated power frequency withstand voltage (r.m.s.)	3 kV / 1 min
Frequency	50 / 60 Hz
Rated continuous thermal current I_{cth}	$1,2 \times I_{pr}$
Instrument security factor	FS5 - FS15
Rated thermal current I_{th}	$60 \times I_{pr}$ for 1 s
Rated dynamic current I_{dyn}	$2,5 \times I_{th}$
Ambient temperature	-40 ... 40°C
Temperature rise limit class	H
Normative standards	IEC 61869 Part 1 + 2 DIN EN 42600
Enclosure	Break-proof polyamide Difficult to inflame
Secondary connection	Nickel plated cross-head screws (2 Nm) Integrated secondary terminal cover

SPECIAL DESIGNS (UPON REQUEST)

- Other ratings, burdens or accuracies
- Secondary reconnection
- Casted with resin
- Highest voltage for equipment 1,2 kV