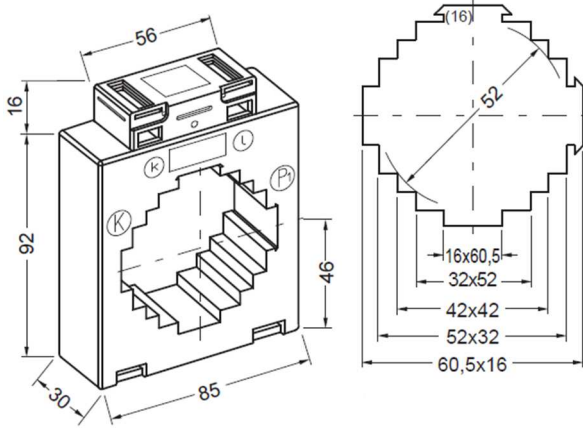


WINDOW OR TUBE TYPE CURRENT TRANSFORMER

8A615.3



Round cable
Primary bus bar

Weight

52 mm
60 x 15 mm
2 x 50 x 10 mm
40 x 40 mm
300 - 400 g

I _{sr}	Cl.	PRIMARY RATED CURRENT I _{pr}												A	
		200	250	300	400	500	600	750	800	1000	1250	1500	1600		
5A	1	2,5	2,5	2,5	2,5	2,5	2,5	2,5	2,5	2,5	5	5	5	5	VA
			3,75	3,75	3,75	5	5	5	5	5	10	10	10	10	
				5	5	7,5	10	10	10	10	15	15	15	15	
										15		20	20	20	
	0,5			1,25	1,25	2,5	2,5	2,5	2,5	2,5	2,5	5	5	5	
					2,5	5	5	5	5	5	5	10	10	10	
							7,5	10	10	10	10	15	15	15	
										15	15	20	20	20	
	0,5S					1,25	2,5	2,5	2,5	2,5	5	5	5	5	
						2,5	5	5	5	5	10	10	10	10	
										10	10	15	15	15	
													20	20	
0,2							2,5	2,5	2,5	2,5	5	5	5		
									5	5	10	10	10		
										10	15	15	15		
													20		
0,2S											2,5	2,5	5	5	
											5	5	10	10	
														15	
1A	1	2,5	2,5	2,5	2,5	2,5	2,5	2,5	2,5	2,5	2,5			VA	
				3,75	3,75	5	5	5	5	5	5	5			
												7,5			
	0,5			1,25	1,25	1,25	2,5	2,5	2,5	2,5	2,5	2,5			
					2,5	2,5	3,75	5	5	5	5	5			
								7,5			7,5				
0,5S					1,25	2,5	2,5	2,5	2,5	2,5	2,5				
						5	5	5	5	5	5				
												7,5			
0,2								2,5	2,5	2,5	2,5				
										5	5				
												2,5			
0,2S															

ACCESSORIES (INCLUDED IN THE SCOPE OF SUPPLY):

1 pc.	Primary bus bar fixing device (Type 16),
2 pcs.	Threaded pins M5 x 35
2 pcs.	Secondary terminal cover (yellow sliders)
2 pcs.	Mounting feet

OPTIONAL ACCESSORIES

- Snap-on mounting brackets for the installation on DIN rail EN 50022-35
- Primary bus bar quick fastening device (Type 16-40)
- Copper bus bars in different dimensions
- Insulating caps for the primary fixing threaded pins

GENERAL TECHNICAL DATA:

Highest voltage for equipment U_m	0,72 kV
Rated power frequency withstand voltage (r.m.s.)	3 kV / 1 min
Frequency	50 / 60 Hz
Rated continuous thermal current I_{cth}	$1,2 \times I_{pr}$
Instrument security factor	FS5 - FS15
Rated thermal current I_{th}	$60 \times I_{pr}$ for 1 s
Rated dynamic current I_{dyn}	$2,5 \times I_{th}$
Ambient temperature	-40 ... 40°C
Temperature rise limit class	H
Normative standards	IEC 61869 Part 1 + 2 DIN EN 42600
Enclosure	Break-proof polyamide Difficult to inflame
Secondary connection	Nickel plated cross-head screws (2 Nm) Integrated secondary terminal cover

SPECIAL DESIGNS (UPON REQUEST)

- Other ratings, burdens or accuracies
- Secondary reconnection
- Casted with resin
- Highest voltage for equipment 1,2 kV