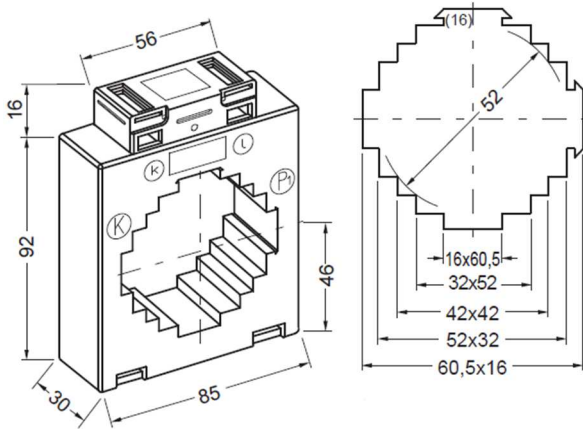


## WINDOW TYPE CURRENT TRANSFORMER

**9A615.3**



Round cable  
Primary bus bar

Weight

52 mm  
63 x 15 mm  
2 x 50 x 10 mm  
40 x 40 mm  
400 - 550 g

I <sub>sr</sub>	Cl.	PRIMARY RATED CURRENT I <sub>pr</sub>														A		
		200	250	300	400	500	600	750	800	1000	1250	1500	1600	2000	2500			
5A	1	2,5	2,5	2,5	2,5	5	5	5	5	5	5	5	5	5	5	5	VA	
		3,75	5	5	5	10	10	10	10	10	10	10	10	10	10	10		
		7,5	10	10	10	15	15	15	15	15	15	15	15	15	15	15		
					15	20	20	20	20	20	20	20	30	30	20	20		
	0,5	2,5	2,5	2,5	2,5	2,5	2,5	5	5	5	5	5	5	5	5	5		
			5	5	5	5	5	10	10	10	10	10	10	10	10	10		
					10	10	10	15	15	15	15	15	15	15	15	15		
						15	15	20	20	20	20	20	30	30	20	20		
	0,5S			2,5	2,5	2,5	2,5	5	5	5	5	5	5	5	5	5		
					5	5	5	10	10	10	10	10	10	10	10	10		
						10	10	15	15	15	15	15	15	15	15	15		
										20	20	30	30	20	20	20		
	0,2				2,5	2,5	2,5	2,5	2,5	5	5	5	5	5	5	5		
						5	5	5	5	10	10	10	10	10	10	10		
							10	10	10	15	15	15	15	15	15	15		
										20	20	30	30	20	20	20		
	0,2S										2,5	5	5	5	5	5		
											5	10	10	10	10	10		
												15	15	15	15	15		
													20	20	20	20		
	1A	1	2,5	2,5	2,5	2,5	2,5	2,5	5	5	5	5	5	5	5	5		VA
			3,75	5	5	5	5	5	10	10	10	10	10	10	10	10		
			7,5	10	10	10	10	10	15	15	15	15	15	15	15	15		
						15			20	20	20	20				20		
0,5		2,5	2,5	2,5	2,5	2,5	2,5	5	5	5	5	5	5	5	5			
				5	5	5	5	10	10	10	10	10	10	10	10			
					7,5	10	10	15	15	15	15	15	15	15	15			
										20	20				20			
0,5S				2,5	2,5	2,5	2,5	5	5	5	5	5	5	5	5			
					5	5	5	10	10	10	10	10	10	10	10			
								15	15	15	15	15	15	15	15			
										20	20				20			
0,2					2,5	2,5	2,5	2,5	2,5	5	5	5	5	5	5			
						5	5	5	5	10	10	10	10	10	10			
							10	10	10	15	15	15	15	15	15			
										20	20				20			
0,2S											2,5	5	5	5	5			
											5	10	10	10	10			
												15	15	15	15			
													20	20	20	20		

## ACCESSORIES (INCLUDED IN THE SCOPE OF SUPPLY):

1 pc.	Primary bus bar fixing device (Type 16),
2 pcs.	Threaded pins M5 x 35
2 pcs.	Secondary terminal cover (yellow sliders)
2 pcs.	Mounting feet

## OPTIONAL ACCESSORIES

- Snap-on mounting brackets for the installation on DIN rail EN 50022-35
- Primary bus bar quick fastening device (Type 16-40)
- Copper bus bars in different dimensions
- Insulating caps for the primary fixing threaded pins

## GENERAL TECHNICAL DATA:

Highest voltage for equipment $U_m$	0,72 kV
Rated power frequency withstand voltage (r.m.s.)	3 kV / 1 min
Frequency	50 / 60 Hz
Rated continuous thermal current $I_{cth}$	$1,2 \times I_{pr}$
Instrument security factor	FS5 - FS15
Rated thermal current $I_{th}$	$60 \times I_{pr}$ for 1 s
Rated dynamic current $I_{dyn}$	$2,5 \times I_{th}$
Ambient temperature	-40 ... 40°C
Temperature rise limit class	H
Normative standards	IEC 61869 Part 1 + 2 DIN EN 42600
Enclosure	Break-proof polyamide Difficult to inflame
Secondary connection	Nickel plated cross-head screws (2 Nm) Integrated secondary terminal cover

## SPECIAL DESIGNS (UPON REQUEST)

- Other ratings, burdens or accuracies
- Secondary reconnection
- Casted with resin
- Highest voltage for equipment 1,2 kV