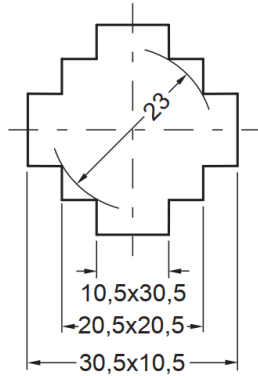
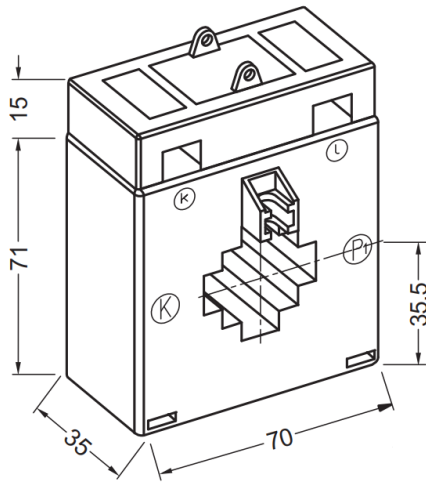


WINDOW OR TUBE TYPE CURRENT TRANSFORMER

IPA 30



Round cable
Primary bus bar

23 mm
30 x 10 mm
20 x 20 mm

I _{sr}	Cl.	PRIMARY RATED CURRENT I _{pr}											A	
		60	75	80	100	125	150	200	250	300	400	500		600
5 A	1	1,25	2,5	2,5	3,75	5	5	10	10	10	15	15	15	VA
							10	15	15	15		20	20	
	0,5				1,25	2,5	3,75	5	7,5	10	15	15	15	
								7,5	10	15		20	20	
	0,5S							2,5	3,75	7,5	10	15	15	
													20	
0,2										5	10	10		
												15		
0,2S											2,5	10		
											5			
1 A	1	1,25	2,5	2,5	3,75	5	5	10	10	10	15	15	15	VA
							10	15	15	15		20	20	
	0,5				1,25	2,5	3,75	5	7,5	10	15	15	15	
								7,5	10	15		20	20	
	0,5S							2,5	3,75	7,5	10	15	15	
													20	
0,2										5	10	10		
												15		
0,2S											2,5	10		
											5			

ACCESSORIES (INCLUDED IN THE SCOPE OF SUPPLY)

- 1 pc. Primary bus bar fixing device (Type A30)
- 2 pcs. Threaded pins M5 x 35
- 1 pc. Secondary terminal cover (black)
- 2 pcs. Mounting feet

SPECIAL ACCESSORIES

- Snap-on mounting brackets for installation on DIN rail EN 50022-35
 - o metal, rotatable
 - o plastic, rigid
- Copper bus bars in different dimensions
- Insulating caps for the primary fixing threaded pins
- Copper tube $d_a = 28$ mm, $d_i = 12,5$ mm, $L = 37$ mm (other lengths upon request) for the use as a tube type current transformer

GENERAL TECHNICAL DATA

Highest voltage for equipment U_m	0,72 kV
Rated power-frequency withstand voltage (r.m.s.)	3 kV / 1 min
Frequency	50 / 60 Hz
Rated continuous thermal current I_{cth}	$1,2 \times I_{pr}$
Instrument security factor	FS5 - FS15
Rated short-time thermal current I_{th}	$60 \times I_{pr}$ for 1 s
Rated dynamic current I_{dyn}	$2,5 \times I_{th}$
Ambient temperature	-40 ... 40°C
Temperature rise limit class	H
Normative standards	IEC 61869 Part 1 + 2 DIN EN 42600 DIN EN 50274
Enclosure	Break-proof polyamide Difficult to inflame
Secondary connection	Nickel plated cross-head screws (2 Nm) Integrated secondary terminal cover

SPECIAL DESIGN (UPON REQUEST)

- Other ratios, burdens or accuracies
- Secondary terminal cover (transparent)
- Secondary reconnection
- Casted with resin
- Highest voltage for equipment 1,2 kV