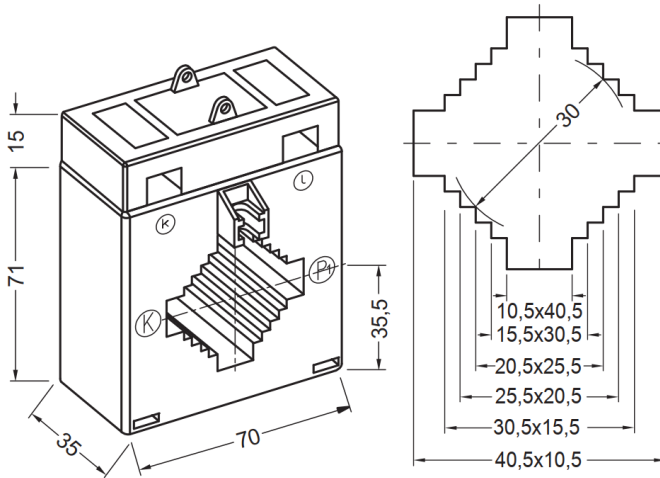


WINDOW OR TUBE TYPE CURRENT TRANSFORMER

IPA 40



Round cable
Primary bus bar

30 mm
40 x 10 mm
30 x 15 mm
25 x 20 mm

v

I _{sr}	Cl.	PRIMARY RATED CURRENT I _{pr}														A	
		75	80	100	125	150	200	250	300	400	500	600	750	800	1000		
5 A	1	1,25	1,25	1,25	2,5	2,5	2,5	2,5	2,5	2,5	2,5	2,5	2,5	5	5	5	VA
				2,5	3,75	5	5	5	5	5	5	5	5	10	10	10	
								7,5	10	10	10	10	10	10	15	15	
	0,5				1,25	1,25	2,5	2,5	2,5	2,5	2,5	2,5	2,5	5	5	5	
						2,5	5	5	5	5	5	5	5	10	10	10	
											10	10	10	15	15	15	
	0,5S								2,5	2,5	2,5	2,5	2,5	5	5	5	
										5	5	5	5	10	10	10	
											10	10	10	10	15	15	
	0,2										2,5	2,5	2,5	2,5	2,5	2,5	
												5	5	5	5	5	
														10	10	10	
0,2S													2,5	2,5	2,5		
														5	5		
															10		
1 A	1	1,25	1,25	1,25	2,5	2,5	2,5	2,5	2,5	2,5	2,5	2,5	5	5	5	VA	
				2,5	3,75	5	5	5	5	5	5	5	5	10	10		10
								7,5		7,5	7,5	10	10	15	15		15
	0,5				1,25	1,25	2,5	2,5	2,5	2,5	2,5	2,5	2,5	5	5		5
						2,5	5			5	5	5	5	10	10		10
											7,5	10	10	15	15		15
	0,5S								1,25	2,5	2,5	2,5	2,5	5	5		5
											5	5	5	10	10		10
												10	10	15	15		15
	0,2										2,5	2,5	2,5	2,5	2,5		2,5
												5	5	5	5		5
														10	10		10
0,2S													2,5	2,5	2,5		
														5	5		
															10		

ACCESSORIES (INCLUDED IN THE SCOPE OF SUPPLY)

- 1 pc. Primary bus bar fixing device (Type A30)
- 2 pcs. Threaded pins M5 x 35
- 1 pc. Secondary terminal cover (black)
- 2 pcs. Mounting feet

SPECIAL ACCESSORIES

- Snap-on mounting brackets for installation on DIN rail EN 50022-35
 - o metal, rotatable
 - o plastic, rigid
- Copper bus bars in different dimensions
- Insulating caps for the primary fixing threaded pins

GENERAL TECHNICAL DATA

Highest voltage for equipment U_m	0,72 kV
Rated power-frequency withstand voltage (r.m.s.)	3 kV / 1 min
Frequency	50 / 60 Hz
Rated continuous thermal current I_{cth}	1,2 x I_{pr}
Instrument security factor	FS5 - FS15
Rated short-time thermal current I_{th}	60 x I_{pr} for 1 s
Rated dynamic current I_{dyn}	2,5 x I_{th}
Ambient temperature	-40 ... 40°C
Temperature rise limit class	H
Normative standards	IEC 61869 Part 1 + 2 DIN EN 42600 DIN EN 50274
Enclosure	Break-proof polyamide Difficult to inflame
Secondary connection	Nickel plated cross-head screws (2 Nm) Integrated secondary terminal cover

SPECIAL DESIGN (UPON REQUEST)

- Other ratios, burdens or accuracies
- Secondary terminal cover (transparent)
- Secondary reconnection
- Casted with resin
- Highest voltage for equipment 1,2 kV